

## ADJUSTABLE ONE WAY TORQUE HINGE

HG-TQJ100



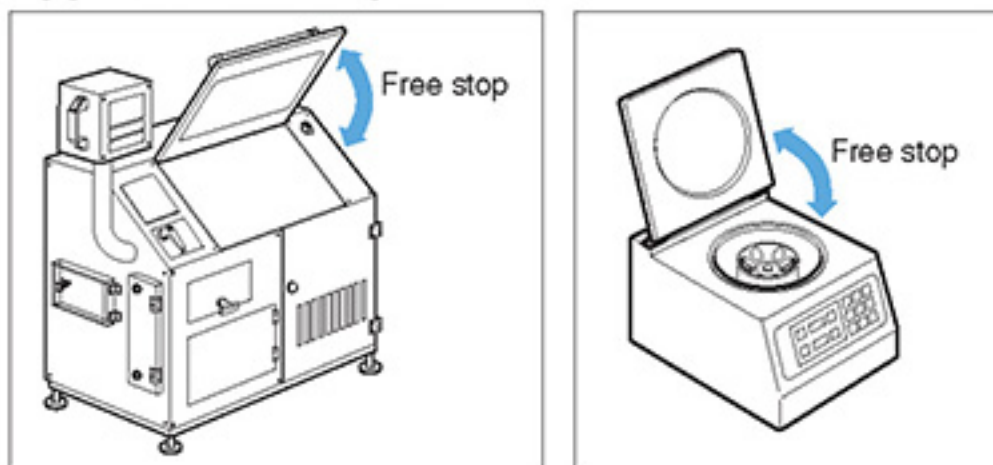
## Features

- Hinge with torque in only one direction. There is almost no torque in the other direction. This allows for smooth operation.
- Adjustable torque: from 0 to 10 N·m.
- Both opening direction torque type and closing direction torque type available.
- Section to adjust torque is normally covered with a cap for a sleek appearance.

## Remarks

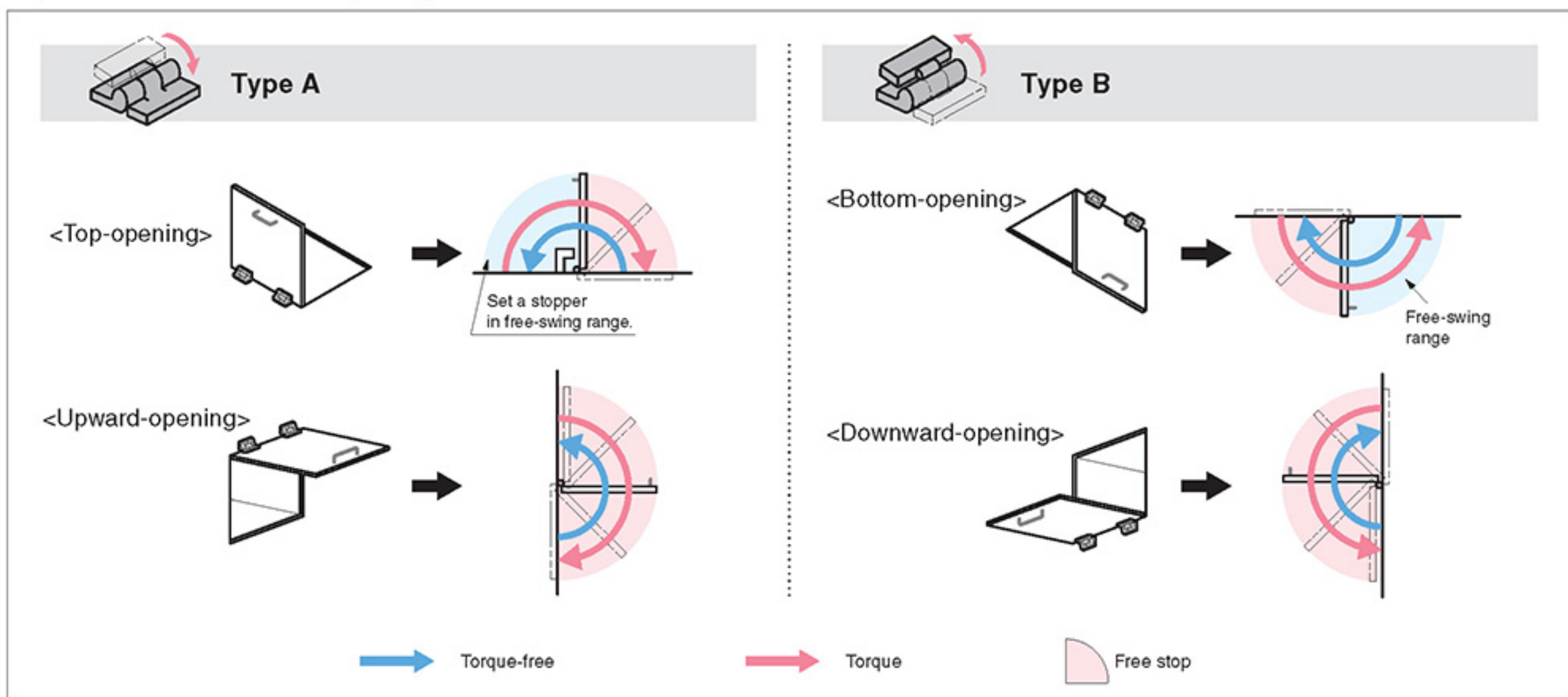
- Recommended for use in pairs.
- Use hex key (size 5) for adjustment.
- If the torque resistance decreases, please tighten the torque adjustment nut.

## Application Example

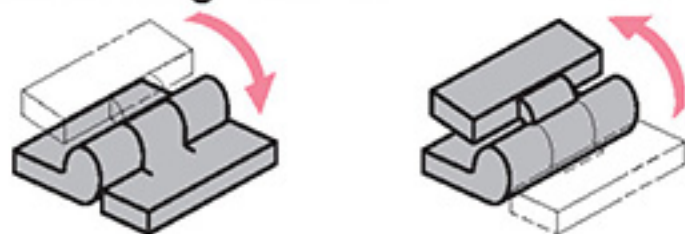


Since torque is adjustable from 0 to 10N·m, applicable to various doors.

## Torque Direction and Free-stop Range



## Torque Working Direction

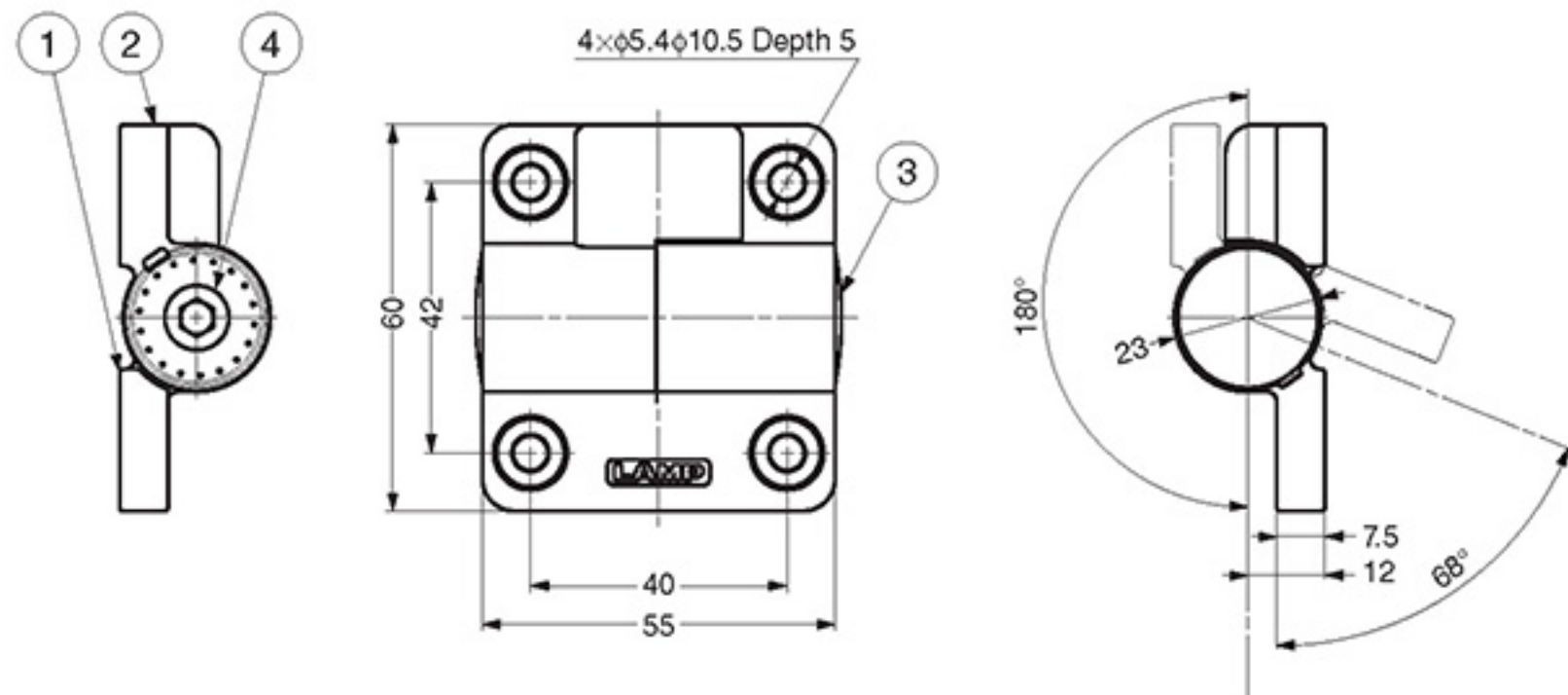


Opening direction

Item name suffixed with "A"

Closing direction

Item name suffixed with "B"



Item Code	Item Name	Torque Working Direction	Torque Moment	Weight	Box	Carton
170-032-969	HG-TQJ100-A	Opening	0 - 10 N·m	242 g	12 pcs	96 pcs
170-032-970	HG-TQJ100-B	Closing	(0 - 102 kgf·cm)			

No.	Part Name	Material	Finish/Colour
①	Bracket A	Zinc Alloy	Silver
②	Bracket B		(baking paint)
③	Cover	Polypropylene (PP)	Dark Grey
④	Torque Adjustment Nut	Stainless Steel	-